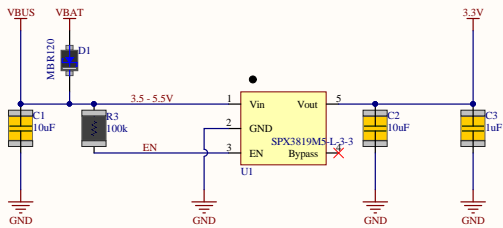
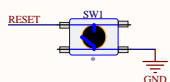


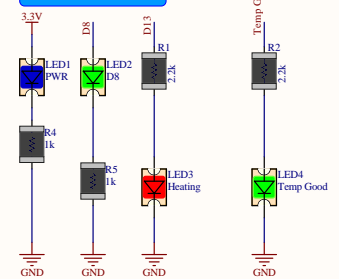
### Power



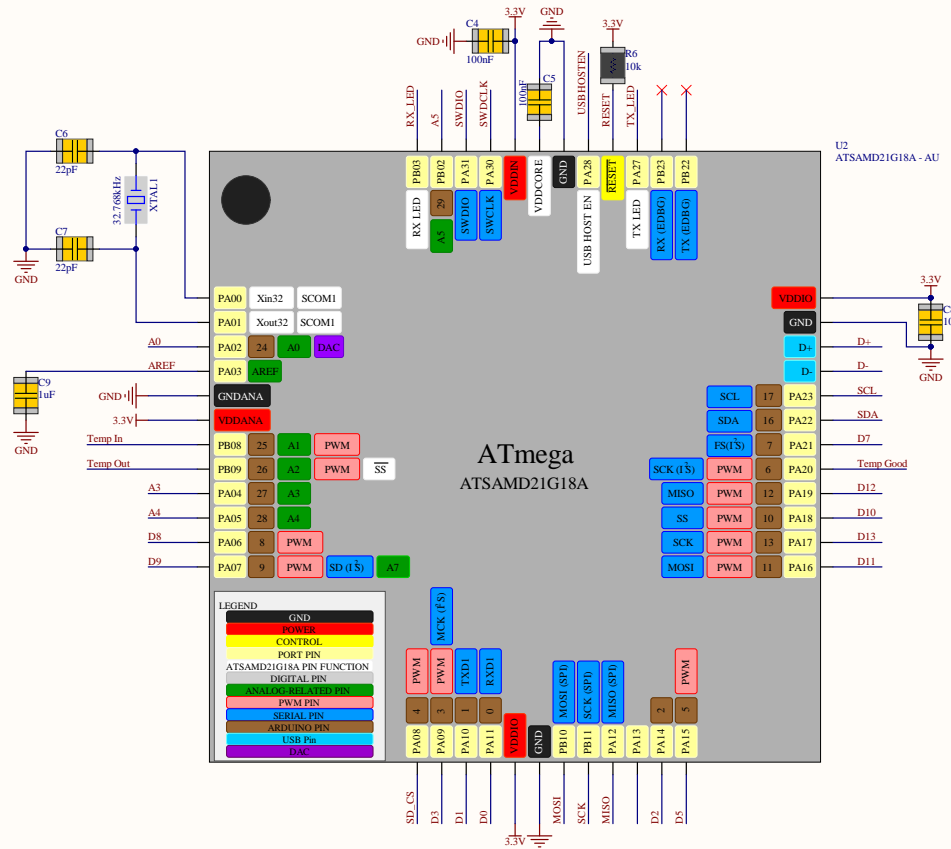
### Reset



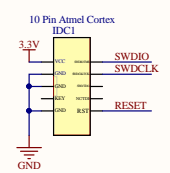
### LED



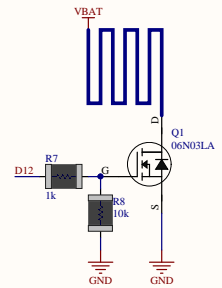
### Microcontroller



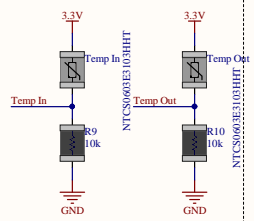
### Debug Port



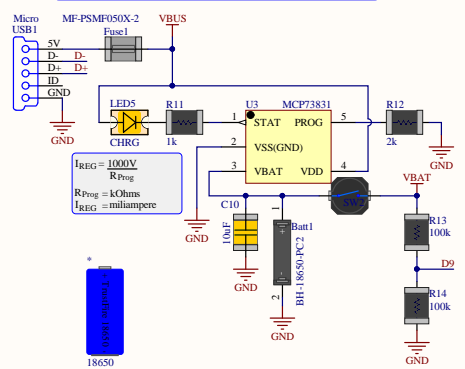
### Current Control



### Temperature Sensors



### USB and Battery Charging



Title		
Size	Number	Revision
Tabloid		
Date:	7/6/2020	Sheet of
File:	C:\Users\...Sterile IV Warming_SchDoc	Drawn By:

